



AMBIUS DOWNLIGHT

AMBIUS DOWNLIGHT RANGE

The Ambius Downlight range has become the Number 1 range of Downlights in NZ for reliability and price. Made specifically for the NZ market, it is manufactured by New Zealanders for New Zealanders.

The range continues to evolve to meet the ever-changing needs of you, the customer, and the market. The following outlines the range which includes improvements in performance and aesthetics along with practical modifications, while maintaining awareness of price points.



Features available in the downlight range:



INTERCHANGEABLE FASCIAS
There are over 8 different fascia finishes available for various downlight models.



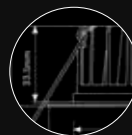
COLOUR TEMPERATURE
The range includes options in 3K/4k/5k/6k colour temperatures. Some models can be changed with the flick of a switch.



HIGH CRI
High CRI 90+ and for exceptionally colour rendering CRI 96+



FIRE RATED
Where specification calls for a fire rated downlight the Ambius range also includes a fire rated product.



LOW PROFILE
Our range minimises heat sink height while maintaining light efficiency.



DUAL POWER
Featured on some products, 2 power settings and therefore 2 lumen outputs.



PRE-WIRE
The Ambius range includes product with independent drivers, which facilitate a pre-wire option and/or alternative driver connection.



QUICK CONNECT
This is a feature on a number of downlights for quick and easy wiring.

NOTE: please check the instruction manual for each product for clarification of the features included with each downlight.

CONNECTION METHODS

PRE-WIRE
TWIST TO CLOSE

REMOTE CONNECT

TWIST LOCK
Allows pre-wiring of the LED driver - simply twist to connect and complete the install.

REMOTE CONTROL
Mains connection can be made away from the downlight body.

QUICK CONNECT

SCREWLESS TERMINALS
Simply press down on terminals, insert cable and release.



FASCIA OPTIONS

- ADLED110-FSAT**
Flat Satin Nickel Fascia
- ADLED110-FWHI**
Flat White Fascia
- OD110-RBLA**
Recessed Black
- ADLED110-RSAT**
Recessed Satin Nickel
- ADLED110-RWHI**
Recessed White Fascia
- OD115-GWHI**
Gimble White Fascia

PAINTABLE FASCIA

Removable fascia enables you to paint to a colour of your choice. Match your paint colour requirements. Talk to your painter or local paint shop.



Real Lifetime for LEDs

LED fittings sometimes come with L/B ratings. This helps indicate the lifetime at certain hours. All Ambius downlights come with a rating of L80 50,000hrs. This means that after 50,000 hrs the lights will not perform below 80% lumen output from original specification

What is CRI?

The CRI of LED is a colour rendering index. The CRI is a measure of a light's ability to reproduce the colours of objects in comparison with a natural light source (CRI 100).



80+ CRI



90+ CRI



96+ CRI

EXTERIOR LIGHTS	INDOOR LIGHTS	HIGH PERFORMANCE	PROFESSIONAL
CRI 70+	CRI 80+	CRI 90+	CRI 96+

Color Temperature and Accuracy

Many Lights now come with different color temperature options. Ambius therefore provides these color options AND methods to change the temperature Color temperature is a way to describe the light appearance. The lower the number the warmer or more yellow the light. The higher the number the colder or bluer the light will be.

In NZ 3000K is a very common color temperature used but, in an office, kitchen and bathrooms some people prefer 4000K while others may prefer 5K. Sometimes a color temp is achieved by "blending" different color temp LED chips. Look for Ambius lights with "TRUE" color temp using LED chips specifically for the color temperatures indicated

The Ambius Downlight range includes a variety of features to help suit your requirements Our Packaging uses a unique Iconology to help with your choice. Whether that be colour switching, dual power / lumen output, fascia options for colour or size variations, IP rating or termination type

PREMIUM COLLECTION



The hero downlight in the Ambius Range has now been made into a family of sizes and outputs. We have taken years of proven reliability and made this into a range which now includes:

- Sizes of 95mm , 110mm, 115mm Gimble, 120mm & 150mm
- "TRUE" color options in 3k and 4k or BOTH.
- Economical and environmentally friendly 4 pack
- CRI 90 & CRI 96
- An IP65 option
- L80 50,000hrs life span



CDB Code	ADLED12W110DV2	ADLED12W115G-2T	ECO12W110-4PK
Description	110mm / Cut out 90mm	115mm / Cut out 105mm	110mm / Cut out 90mm
Wattage	10W	10W	10W
Pronto	Q5070535	Q5071030	Q5070850
Lumens	800-900	800-900	850
CRI	96+	96+	90+
Colour Temp	3K/4K	3K/4K	3K
Dim	Y	Y	Y
Driver	Prewire	Prewire	Fixed
Fascia Change	Y	Y	Y
Fixed Fascia			
Aluminium fascia	Y	Y	Y
PC Fascia			
IP	IP44	IP44	IP44



CDB Code	ADLED10W95-2T	ADLED12W120D-2T	ADLED12W150D-2T
Description	95mm / Cut out 78mm	120mm / Cut out 90-110mm	150mm / Cut out 110-140mm
Wattage	10W	10W	12W
Pronto	Q5070900	Q5070930	Q5070940
Lumens	800-900	800-900	950-1050
CRI	90+	96+	90+
Colour Temp	3K/4K	3K/4K	3K/4K
Dim	Y	Y	Y
Driver	Prewire	Prewire	Prewire
Fascia Change		Y	
Fixed Fascia	Y		Y
Aluminium fascia	Y	Y	Y
PC Fascia			
IP	IP65	IP44	IP44

PRICE POINT



Ambius understands that along with quality and performance PRICE is important. Therefore, we have produced models in our range that meet every price point. Each of these models has subtle feature variations which enables each model to meet different requirements.

Some of these variations are:

- Color Temperature selection
- PC or aluminum fascia
- Recess or flat fascia
- Quick connect termination
- Low profile
- IP65 models



CDB Code	ADLED6W85D-3T	ADLED110F-3T	ADLED110R-3T
Description	96mm / Cut out 75-85mm	110mm / Cut out 90mm	110mm / Cut out 90mm
Wattage	6W	8W	8W
Pronto	Q5070590	Q5071010	Q5071020
Lumens	550	800-900	800-900
CRI	80+	80+	80+
Colour Temp	3K/4K/5K	3K/4K/5K	3K/4K/5K
Dim	Y	Y	Y
Driver	Fixed	Fixed	Fixed
Fascia Change			
Fixed Fascia	Y	Y	Y
Aluminium fascia			
PC Fascia	Y	Y	Y
IP	IP44	IP65	IP65



CDB Code	ADLED12W110D-3K	ADLED12W110D-2T
Description	110mm / Cut out 90mm	110mm / Cut out 90mm
Wattage	12W	12W
Pronto	Q5070910	Q5070920
Lumens	850	800-900
CRI	80+	90+
Colour Temp	3K	3K/4K
Dim	Y	Y
Driver	Fixed	Fixed
Fascia Change		
Fixed Fascia	Y	Y
Aluminium fascia	Y	Y
PC Fascia		
IP	IP44	IP44

RETRO FIT



Sometimes the size of the downlight is the determining factor around choice. Especially where the downlight is required to retrofit an older model. For those larger hole sizes Ambius has specifically developed the following models. Some models even include more than one size fascia to give options within a single model.

Our standard range covers hole sizes from 75mm – 115mm

These retrofit models will cover those larger hole sizes – starting at 115mm through to 160mm

Don't forget our commercial range for hole sizes from 175mm- 245mm

Some models now come with Dual power switching to cover all your potential lumination requirements



CDB Code	ADLEDACI2W165-3T	ADLEDI2W144D	ADLEDI2W150D-2T
Description	150+165mm / Cut out 115-160mm	144mm / Cut out 115mm	150mm / Cut out 110-140mm
Wattage	DUAL POWER 8-12W	12W	12W
Pronto	Q5070230	Q5070560	Q5070940
Lumens	900-1400	950	950-1050
CRI	80+	80+	90+
Colour Temp	3K/4K/5K	3K	3K/4K
Dim	Y	Y	Y
Driver	Fixed	Prewire	Prewire
Fascia Change	Y	Y	
Fixed Fascia			Y
Aluminium fascia		Y	Y
PC Fascia	Y		
IP	IP44	IP44	IP44



COMMERCIAL



The Ambius Downlight range isn't just about residential application. We have reviewed key specifications, and in the offer, provided the most common sizes and outputs. This includes 20watt and 30watt as well as low glare, spanning hole sizes from 175mm through to 245mm.

Don't forget our 60min FIRE RATED downlight tested in AS/NZ, using NZ materials to NZ building standards. Some models now come with Dual power switching to cover all your potential lumination requirements



CDB Code	ADLFR12W110-3T	ADLED20WUGR	ADL20WI92	ADL30W220-260
Description	106mm / Cut out 88mm	185mm / Cut out 175mm	192mm / Cut out 175mm	220-260mm / Cut out 200-245mm
Wattage	12W	20W	DUAL POWER 16-20W	30W
Pronto	Q5070610	Q5070960	Q5070270	Q5070280
Lumens	950	2000 UGR19	1700-2300	3000
CRI	80+	90+	80+	80+
Colour Temp	3K/4K/6K	4K	4K	4K
Dim	Y	Y	Y	Y
Driver	Prewire	Prewire	Prewire	Prewire
Fascia Change	Removable	Y	Y	
Fixed Fascia				Y
Aluminium fascia				
PC Fascia		Y	Y	Y
IP	IP65	IP54	IP40	IP40



ARCHITECTURAL



The Architectural Series forms part of an Ambius Designer range. The range includes low recess and deep recess modlues to help minimise glare. IES lighting design files are available on all Ambius downlights.



CDB Code	ADARC12WS-2T	ADARC12WSRDT-2T	ADARC12WLRW-2T	ADARC12WDRW-2T
Description	87mm / Cut out 80mm	87mm / Cut out 80mm	100mm / Cut out 90mm	110mm / Cut out 90mm
Wattage	12W	12W	12W	12W
Pronto	Q5070860	Q5070870	Q5070880	Q5070890
Lumens	850-950	850-950	850-950	800-900
CRI	90+	90+	90+	90+
Colour Temp	3K/4K	3K/4K	3K	3K/4K
Dim	Y	Y	Y	Y
Driver	Prewire	Prewire	Prewire	Prewire
Fascia Change				
Fixed Fascia	Y	Tilt	Low Recess	Deep Recess
Aluminium fascia	Y	Y	Y	Y
PC Fascia				
IP	IP44	IP20	IP44	IP44



CDB Code	ADL90DP	ADLT90DPW	ADLT90DPB
Description	90mm / Cut out 75mm	90mm / Cut out 75mm	90mm / Cut out 75mm
Wattage	DUAL POWER	DUAL POWER 4W & 6W	DUAL POWER 4W & 6W
Pronto	Q5071100	Q5071080	Q5071090
Lumens	400-850	400-850	400-850
CRI	80+	80+	80+
Colour Temp	3K/4K	3K/4K	3K/4K
Dim	Y	Y	Y
Driver	Fixed	Fixed	Fixed
Fascia Change	Black / Stainless Steel / White		
Fixed Fascia		Y	Y
Aluminium fascia			
PC Fascia	Y	Y	Y
IP	IP65	IP65	IP65

DIM TO WARM DOWNLIGHT

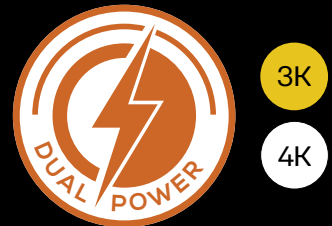
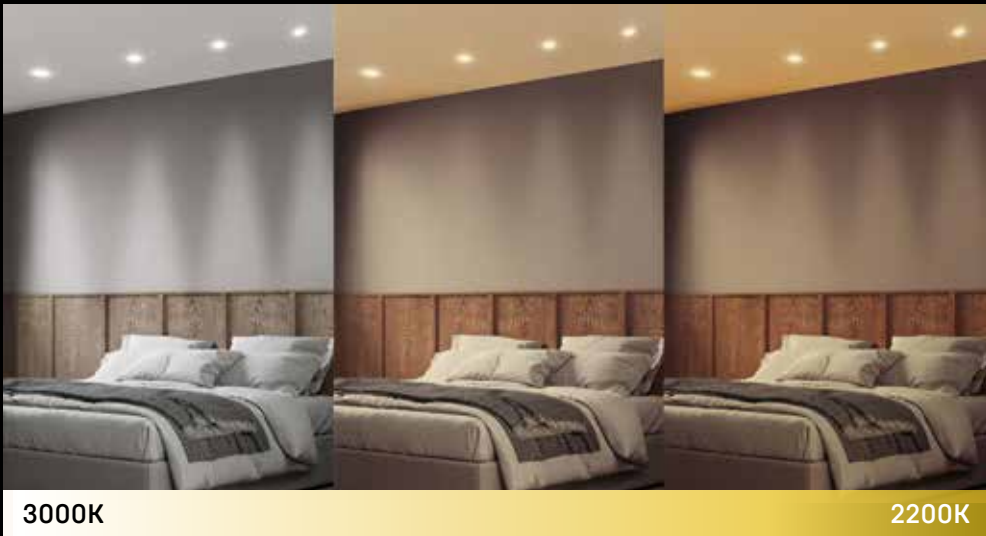
These Price appointed downlights use modern technology to offer Dual Power options and therefore choice of low or high lumen output on the same downlight.

Along with both True 3K and 4K colour temperature options, we have also added the Dim to Warm feature on these models. On 3000k this feature transitions the light down to 2200K as you dim the light.

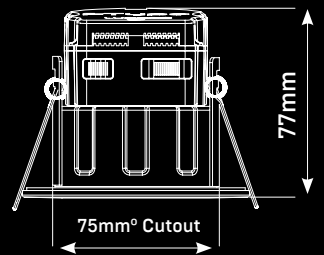
Dual Power

This product is a dual power fitting with 4W and 8W – table shows lumen outputs by wattages and colour temperatures

The NEW **Dim-to-Warm** downlights come in fixed and tilt options. These can be switched between 3K and 4K colour temperatures. Dim-to-Warm operates on the 3K setting only and transitions the light down to 2200K as you dim the light.



Output Lumens	4W	8W
3000K	400	850
4000K	450	850



The fixed model includes 3 different colour fascia options in the box, White, Black and Satin Nickel. Simply twist the fascia to change. The tilt model comes only in White or Black finish.



CHANGEABLE PC FASCIAS INCLUDED



Black

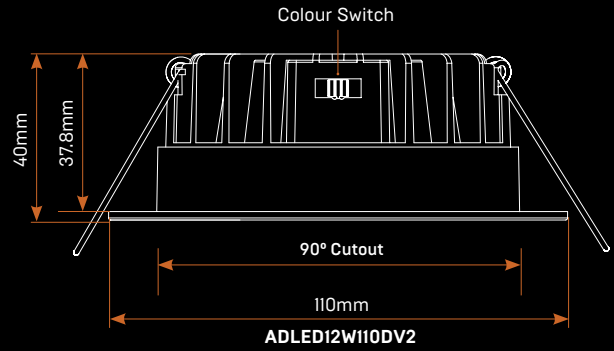
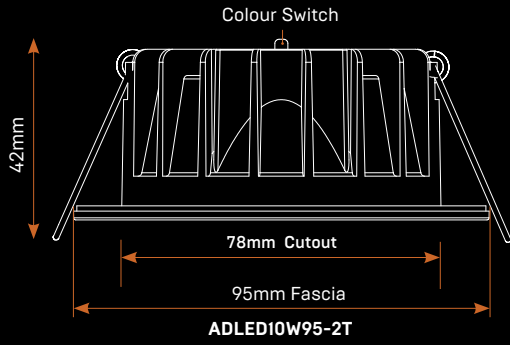
White

Satin Nickel

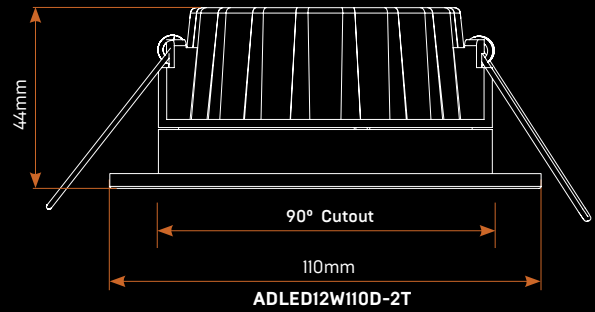
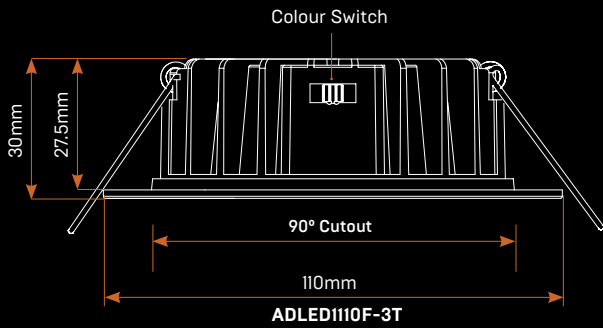
QUICK CONNECT TERMINATION



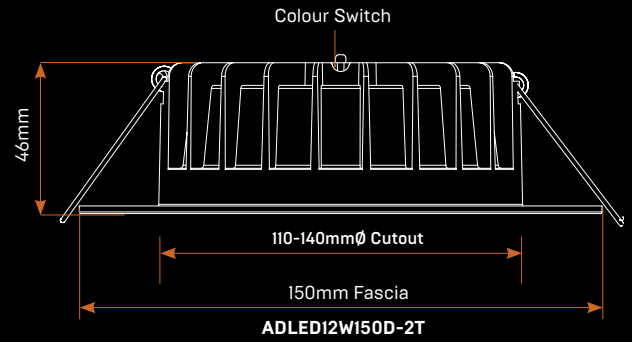
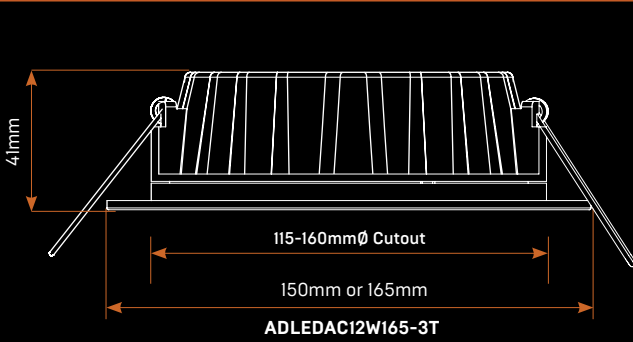
PREMIUM



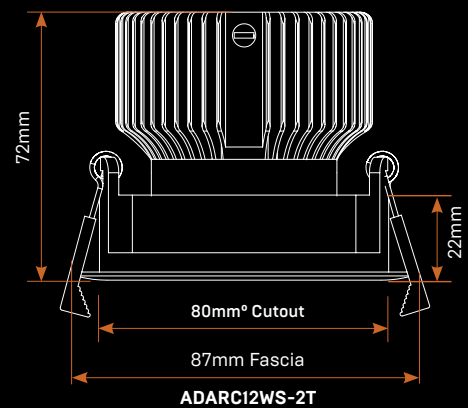
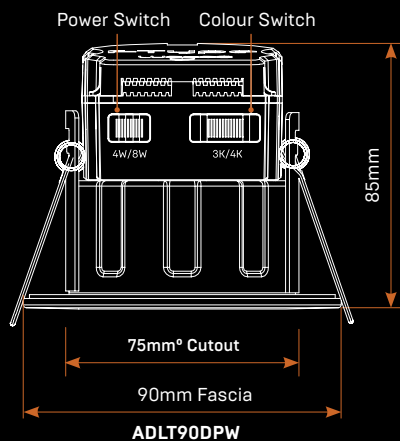
PRICE POINT



RETROFIT



ARCHITECTURAL



Pronto	CDB Code	Description	Lumens	CRI	Colour Temp	Dim	Driver	Fascia Change	Fixed Fascia	Alum Fascia	PC Fascia	IP
Q5070590	ADLED6W85D-3T	96mm / Cut out 75-85mm	550	80+	3K/4K/5K	Y	Fixed		Y		Y	IP44
Q5071010	ADLED110F-3T	110mm / Cut out 90mm	800-900	80+	3K/4K/5K	Y	Fixed				Y	IP65
Q5071020	ADLED110R-3T	110mm / Cut out 90mm	800-900	80+	3K/4K/5K	Y	Fixed		Y		Y	IP65
Q5070910	ADLED12W110D-3K	110mm / Cut out 90mm	850	80+	3K	Y	Fixed			Y		IP44
Q5070920	ADLED12W110D-2T	110mm / Cut out 90mm	800-900	90+	3K/4K	Y	Fixed		Y	Y		IP44
Q5070900	ADLED10W95-2T	95mm / Cut out 78mm	800-900	90+	3K/4K	Y	Prewire		Y	Y		IP65
Q5070850	ECO12W110-4PK	110mm / Cut out 90mm	850	90+	3K	Y	Fixed	Y		Y		IP44
Q5070535	ADLED12W110DV2	110mm / Cut out 90mm	800-900	96+	3K/4K	Y	Prewire	Y		Y		IP44
Q5071030	ADLED12W115G-2T	115mm / Cut out 105mm	800-900	96+	3K/4K	Y	Prewire	Y		Y		IP44
Q5070930	ADLED12W120D-2T	120mm / Cut out 90-110mm	800-900	96+	3K/4K	Y	Prewire	Y		Y		IP44
Q5070940	ADLED12W150D-2T	150mm / Cut out 110-140mm	950-1050	90+	3K/4K	Y	Prewire			Y		IP44
Q5070560	ADLED12W144D	144mm / Cut out 115mm	950	80+	3K	Y	Prewire	Y		Y		IP44
Q5070230	ADLEDAC12W165-3T	150+165mm / Cut out 115-160mm	900-1400	80+	3K/4K/5K	Y	Fixed	Y			Y	IP44
Q5070610	ADLFR12W110-3T	106mm / Cut out 88mm	950	80+	3K/4K/6K	Y	Prewire		Y	Y		IP65
Q5070270	ADL20W192	192mm / Cut out 175mm	1700-2300	80+	4K	Y	Prewire		Y	Y		IP40
Q5070960	ADLED20WUGR	185mm / Cut out 175mm	2000	90+	4K	Y	Prewire			Y		IP54
Q5070280	ADL30W220-260	220-260mm / Cut out 200-245mm	3000	80+	4K	Y	Prewire			Y		IP40
Q5070860	ADARC12WS-2T	87mm / Cut out 80mm	850-950	90+	3K/4K	Y	Prewire			Y		IP44
Q5070870	ADARC12WSRDT-2T	87mm / Cut out 80mm	850-950	90+	3K/4K	Y	Prewire			Y		IP20
Q5070880	ADARC12WLRW-2T	100mm / Cut out 90mm	850-950	90+	3K/4K	Y	Prewire			Y		IP44
Q5070890	ADARC12WDRW-2T	110mm / Cut out 90mm	800-900	90+	3K/4K	Y	Prewire			Y		IP44
Q5071100	ADL90DP	90mm / Cut out 75mm	400-850	80+	3K/4K	Y	Fixed				Y	IP65
Q5071080	ADLT90DPW	90mm / Cut out 75mm	400-850	80+	3K/4K	Y	Fixed				Y	IP65
Q5071090	ADLT90DPB	90mm / Cut out 75mm	400-850	80+	3K/4K	Y	Fixed				Y	IP65

For more information visit our website:

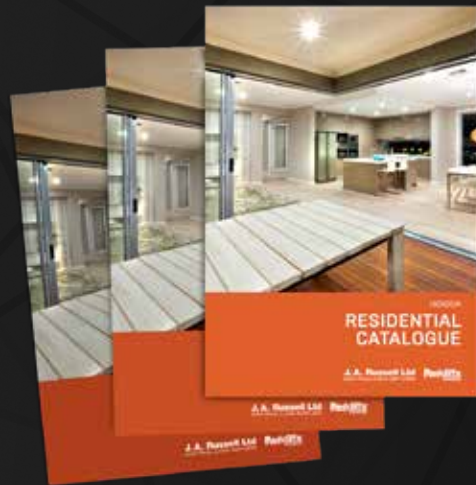
<https://ambiuslighting.co.nz/>



Our Latest Downlight Catalogue

The Ambius Downlight range is a key solution for lighting in New Zealand homes. We have a downlight to suit almost every application - new builds, retrofit, designer, task and ambience.

The range includes tilt, spot, deep recess and fire rated downlights providing extensive lighting options - we have you covered.



Our latest Ambius Indoor Catalogue

A key component of how a home will look and feel can be determined by lighting, so it's important to consider this when building or renovating.

Our Ambius Indoor catalogue provides a variety of lighting solutions from the living area to bathrooms and bedrooms.



Our latest Ambius Outdoor Catalogue

Exterior lighting requires as much thought as areas inside. In this catalogue there are a variety of lights and designs available to provide the effect you are looking for.



Our latest Ambius Security Catalogue

We all want to feel safe outside on our properties. The Ambius Security range of sensors and sensor lights provides light where and when you need it most.